

MOBILE STARTER MODEL - MCS_3PMOHS



CUSTOMER CARE
+91 91596 34445



The **MOBILE STARTER** Controller is a device to control and monitor electric motors, agriculture pump sets through mobile phone using GSM technology. The GSM powered remote controller is used to switch ON and OFF electric devices from remote location. It helps the farmer to handle agricultural pump sets easily and also helps the farmer to irrigate the crops in proper schedule. It helps farmers to save life from snake bite in night time, saves water, time and electricity. Mobile motor starter is a must device for farmers in today's world.

SPECIFICATION:

MODEL	: MCS_3PMOHS
TYPE	: DIGITAL
BOX	: METAL BOX
COLOUR	: BLUE, WHITE
INPUT SUPPLY	: 3-PHASE
OPERATING VOLTAGE	: 440 VAC
PACKAGE CONTAINS	: 1x MOBILE STATER, 2x CT COIL 40A,1x ANTENNA, 1x USER MANUAL.

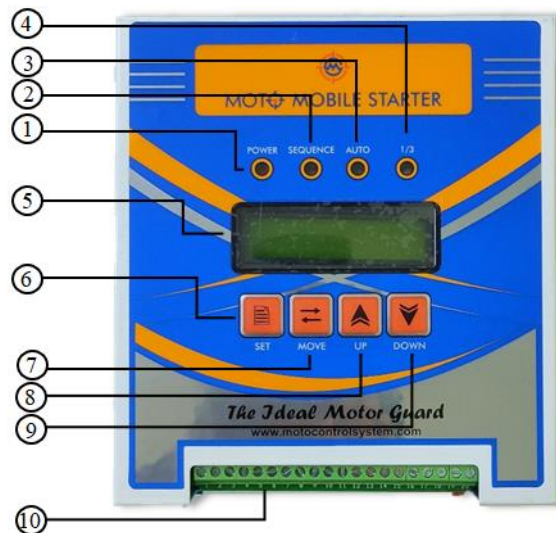
FEATURES:

- IVRS OR MISSED CALL SYSTEM FOR MOTOR ON AND OFF.
- MESSAGE ALERT.
- 16x2 LCD DISPLAY.
- SINGLE PHASE PREVENTER.
- HIGH & LOW VOLTAGE PROTECTION.
- PHASE FAILURE & PHASE REVERSAL PROTECTION.
- DIFFERENT VOLTAGE PROTECTION.
- OVER LOAD & DRY RUN PROTECTION.
- CURRENT SENSING PHASE -2(2CT).
- INDIVIDUAL AMPS SETTINGS.
- VOLTAGE CALIBRATION & AMPS CALIBRATION.
- CYCLIC TIMER OPTION.
- AUTO START TIMER OPTION.
- STAR DELTA TIMER & EXTRA TIMER OPTION.
- 12V OUTPUT FOR KIRTI RELAY OPTION.
- INDIA'S MOST ADVANCED GSM BASED MOBILE CONTROLLER WITH INTERACTIVE VOICE RESPONSE.

ADVANTAGES:

- SUITABLE FOR ALL BUTTON STARTER.
- SUITABLE FOR 1/2HP TO 100HP ELECTRIC MOTORS (3PHASE).
- ACCURACY WITH TRIPPING & LED INDICATION FOR FAULT STATUS.
- USER FRIENDLY TIMER SETTINGS.
- AUTO / MANUAL MODE OPERATION.
- EASY INSTALLATION AND MAINTENANCE.
- ADD UPTO 10 USERS TO CONTROL THE STARTER.
- BY-PASS OPTION.

DESCRIPTION:



1. POWER ON LED.
2. SEQUENCE LED.
3. AUTO LED.
4. 1/3 PHASE LED.
5. 16X2 LCD DISPLAY.
6. SET BUTTON.
7. MOVE BUTTON.
8. INCREMENT BUTTON.
9. DECREMENT BUTTON.
10. INPUT & OUTPUT CONNECTOR.

WIRING DIAGRAM:

Fig 1: 3PHASE DOL STARTER CONNECTION DIAGRAM.

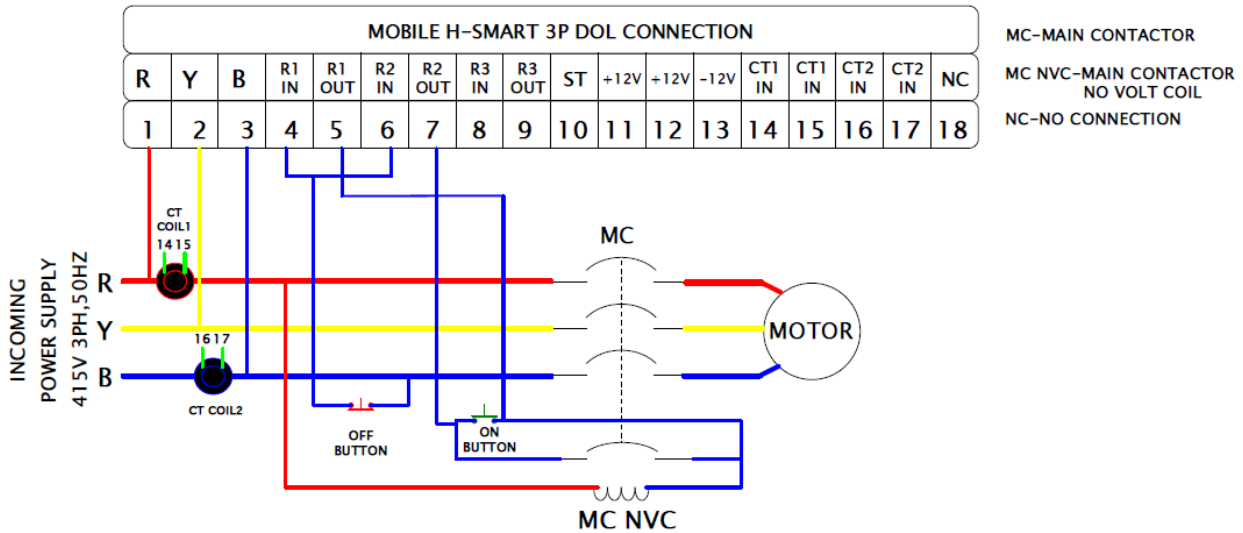
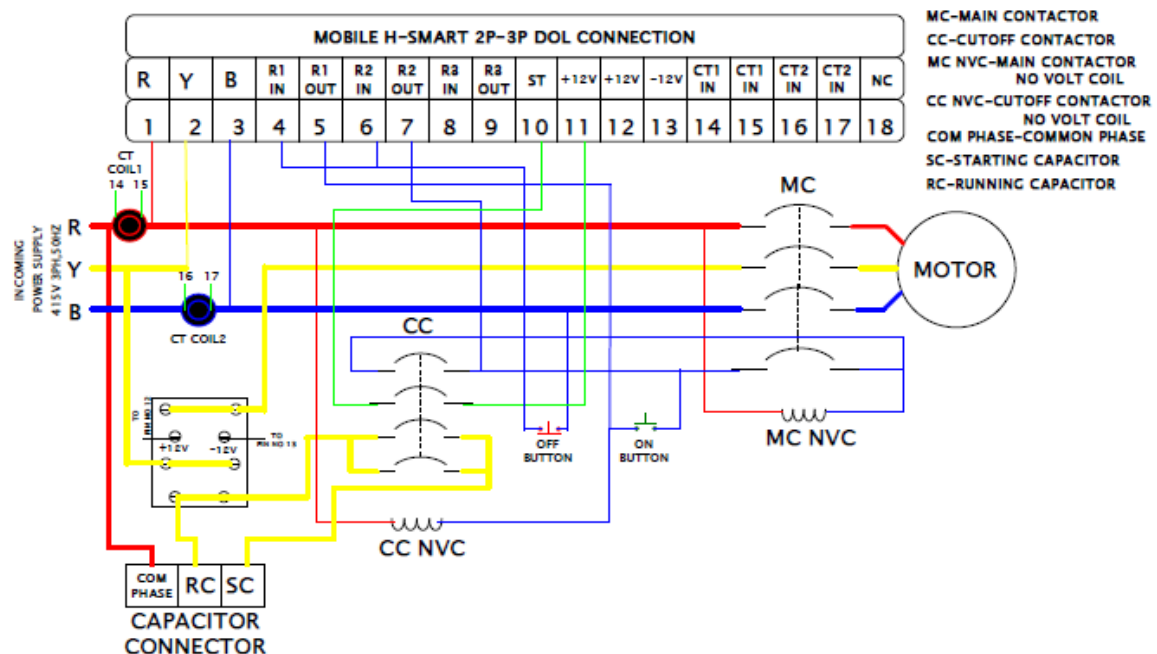


Fig 2: 2PHASE /3PHASE DOL STARTER CONNECTION DIAGRAM



NOTE: ALWAYS DISCONNECT POWER BEFORE INSTALLATION OR MAINTENANCE.

Fig 3: 3PHASE START DELTA STARTER CONNECTION DIAGRAM.

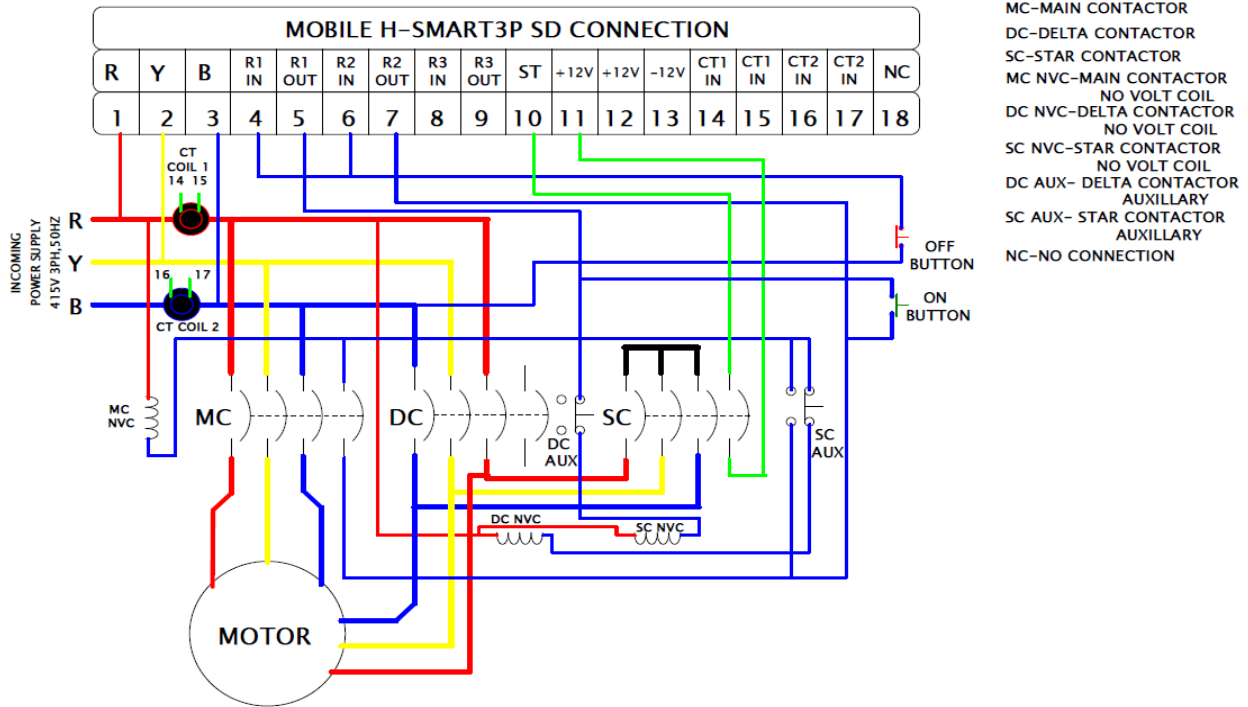
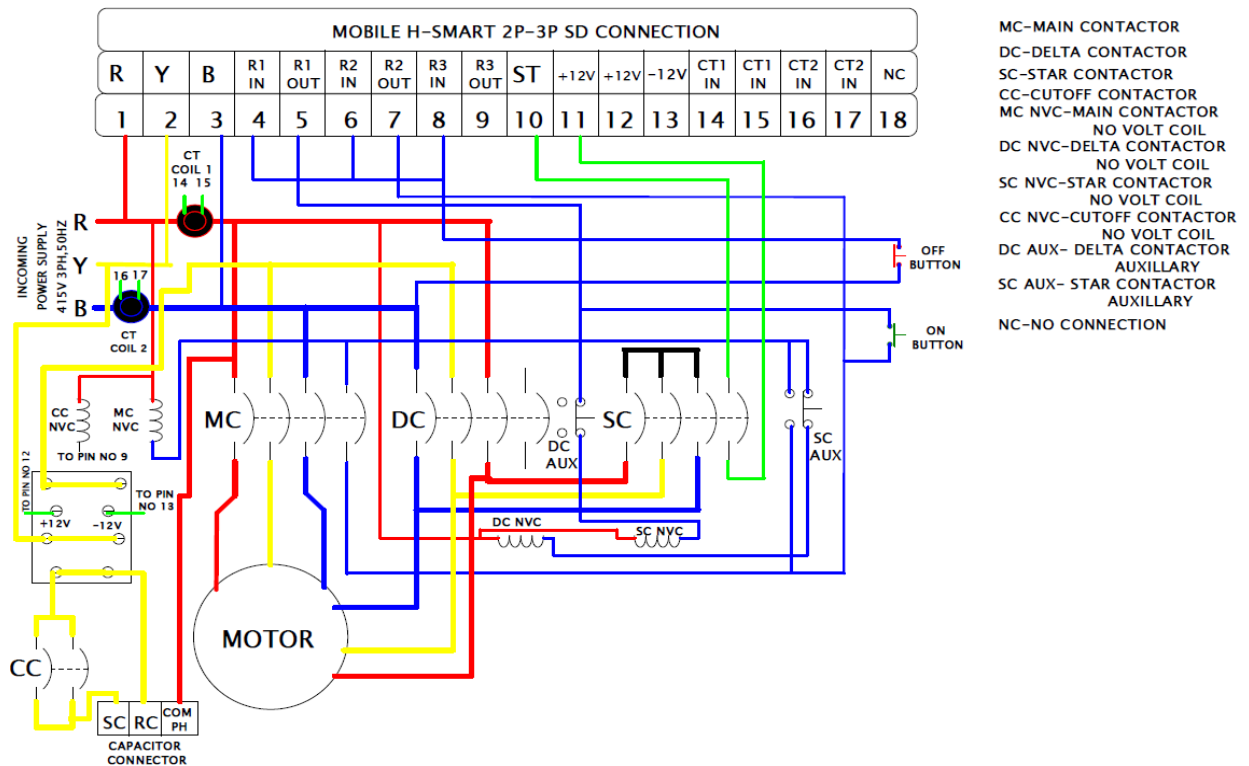


Fig 4: 2PHASE/ 3PHASE STAR DELTA STARTER CONNECTION DIAGRAM.



NOTE: ALWAYS DISCONNECT POWER BEFORE INSTALLATION OR MAINTENANCE.

SETTINGS:

OPERATION	COMMAND	EXAMPLE	REPLAY MESSAGE	REMARK
New mobile number registration	ADD <space>15 digit Mobile starter s.no number	ADD 01234567890123 4	NEW MOBILE NUMBER UPDATED	Primary mobile number
New mobile number registration	NM01<space>10 digit mobile number TO NM10<space>10 digit mobile number	NM01 9876543210 TO NM10 9876543210	NEW MOBILE NUMBER UPDATED	Secondary mobile number - maximum 10 number include primary number.
To set cyclic ON time	CYC<space>ON(ON time in minutes)	CYC ON0060	CYCLIC TIMER ON TIME SAVED	0060 → 60 minutes
To set cyclic OFF time	CYC<space>OFF(OFF time in minutes)	CYC OFF0060	CYCLIC TIMER OFF TIME SAVED	0060 → 60 minutes
To set auto start time	AUTO<space>2digit Timer Value In Minutes	AUTO 02	AUTO TIME SAVED	02 → 2 minutes
To set star delta timer	DEL<space>2digit timer value in minutes	DEL 05	STAR DELTA TIMER SAVED	05→5 minutes
To set extra timer	EXT<space>2digit timer value	EXT 07	EXTRA TIMER SAVED	07→7minutes
To set 3phase amps value	AMPS<space>L1 <space>3P<space> XXXX(4 digit value)	AMPS L1 3P 0410	LINE 1 THREE PHASE AMPS LIMIT SAVED	04→Dryrun amps 10→ Overload amps
	AMPS<space>L2 <space>3P<space> XXXX(4 digit value)	AMPS L2 3P 0410	LINE 2 THREE PHASE AMPS LIMIT SAVED	04 →Dryrun amps 10→Overload amps

To set 2phase amps value	AMPS<space>L1 <space>1P<space> XXXX(4 digit value)	AMPS L2 2P 0410	LINE 1 SINGLE PHASE AMPS LIMIT SAVED	04→ Dryrun amps 10→ Overload amps
	AMPS<space>L2 <space>1P<space> XXXX(4 digit value)	AMPS L2 2P 0410	LINE 1 SINGLE PHASE AMPS LIMIT SAVED	04→ Dryrun amps 10→ Overload amps
To set 1phase voltage value	VOLT<space>1P <space>LOW<space> XXX(3digit value)	VOLT 1P LOW 150	SINGLE PHASE LOW VOLT LIMIT SAVED	Set 150V low volt
	VOLT<space>1P <space>HIGH<space> XXX(3digit value)	VOLT 1P HIGH 280	SINGLE PHASE HIGH VOLT LIMIT SAVED	Set 280 high volt
To set 3phase voltage value	VOLT<space>3P <space>LOW<space> XXX(3digit value)	VOLT 3P LOW 300	THREE PHASE LOW VOLT LIMIT SAVED	Set 300 low volt
	VOLT<space>3P <space>HIGH<space> XXX(3digit value)	VOLT 3P HIGH 500	THREE PHASE HIGH VOLT LIMIT SAVED	Set 500 high volt
Different voltage delay timer value	DIFFDELAY<space> 2digit timer value in seconds.	DIFFDELAY 05	DIFFERENT VOLT DELAY SAVED	05→ 5 seconds
Dryrun delay timer value	DRYDELAY<space> 2digit timer value in seconds.	DRYDELAY 05	DRYRUN DELAY SAVED	05→ 5 seconds
Overload delay timer value	OVLDELAY<space> 2digit timer value in seconds.	OVLDELAY 05	OVERLOAD DELAY SAVED	05→5 seconds
Low voltage delay timer	LVDELAY<space> 2digit timer value in seconds.	LVDELAY 05	LOW VOLT DELAY SAVED	05→ 5 seconds
High voltage delay timer	HVDELAY<space> 2digit timer value in seconds.	HVDELAY 05	HIGH VOLT DELAY SAVED	05→ 5 seconds

CONTROL COMMANDS:

OPERATION	COMMAND	EXAMPLE	REPLAY MESSAGE
Switch ON the Motor	ON<space>MOTOR	ON MOTOR	MOTOR ON
Switch OFF the Motor	OFF<space>MOTOR	OFF MOTOR	MOTOR OFF
Switch ON Auto Start	ON<space>AUTO	ON AUTO	AUTO START ON
Switch OFF Auto Start	OFF<space>AUTO	OFF AUTO	AUTO START OFF
Switch ON 2Phase Mode	ON<space>TP	ON TP	1+3 PHASE ON
Switch OFF 2Phase Mode	OFF<space>TP	OFF TP	1+3 PHASE OFF
Reply Message option will be enabled.	ON<space>SMS	ON SMS	SMS ON
Reply Message option will be disabled.	OFF<space>SMS	OFF SMS	SMS OFF
Status Check	SS (or) SET1(or) SET2	SS (or) SET1 (or) SET2	You will get status of motor, autostart, amps,light and running history.
Error	Message except the above format or message from unregistered number or wrong keyword.		SORRY! THIS IS NOT A REGISTRED NUMBER OR WRONG KEYWORD
Receiving Keywords	HELP	HELP	RECEIVING KEYWORDS
Only the registered 5 mobile numbers can have the control over the motor.	Secure high		HIGH SECURITY LEVEL SELECTED AUTHORISED NUMBERS ONLY OPERATE THE MOTOR.
Any mobile number can have access over the motor.	Secure low		LOW SECURITY LEVEL SELECTD ANYBUDY CAN OPERATE YOUR MOTOR IN THIS LEVEL
The Control number can have access. Other numbers will receive only status check.	Secure medium		MEDIUM SECURITY LEVEL SELECTED

Switch ON the light	ON<space>LIGHT	ON LIGHT	LIGHT ON
Switch OFF the light	OFF<space> LIGHT	OFF LIGHT	LIGHT OFF
Switch ON the cyclic timer	ON<space> CYCLICTIMER	ON CYCLITIMER	CYCLICTIMER ON
Switch OFF the cyclic timer	OFF<space> CYCLICTIMER	OFF CYCLICTIME R	CYCLICTIMER OFF
Switch ON the Flash message	ON<space>FLASH	ON FLASH	FLASH MESSAGE ACTIVATED
Switch OFF the flash message	OFF<space>FLASH	OFF FLASH	FLASH MESSAGE DEACTIVATED
Turn ON dryrun preventer	ON<space>DRYRUN	ON DRYRUN	DRYRUN PREVENTER ACTIVATED
Turn OFF dryrun preventer	OFF<space> DRYRUN	OFF DRYRUN	DRYRUN PREVENTER DEACTIVATED
Turn ON overload preventer	ON<space> OVERLOAD	ON OVERLOAD	OVERLOAD PREVENTER ACTIVATED
Turn OFF overload preventer	OFF<space> OVERLOAD	OFF OVERLOAD	OVERLOAD PREVENTER DEACTIVATED
Turn ON SPP preventer	ON<space>SPP	ON SPP	SINGLE PHASE PREVENTER ON
Turn OFF SPP preventer	OFF<space>SPP	OFF SPP	SINGLE PHASE PREVENTER OFF
IVRS activated	ON<space>VOICE	ON VOICE	VOICE ACTIVATED
IVRS deactivated	OFF<space>VOICE	OFF VOICE	VOICE DEACTIVATED
The unit will be refreshed	REF	REF	MOBILE STARTER REINSTALLING PLS WAIT
Turn ON LOW voltage settings	ON<space> LOWVOLT	ON LOWVOLT	LOW VOLT ON ACTIVATED
Turn OFF LOW voltage settings	OFF<space> LOWVOLT	OFF LOWVOLT	LOW VOLT OFF DEACTIVATED
Turn ON HIGH voltage settings	ON<space> HIGHVOLT	ON HIGHVOLT	HIGH VOLT ON ACTIVATED
Turn OFF HIGH voltage settings	OFF<space> HIGHVOLT	OFF HIGHVOLT	HIGHVOLT OFF DEACTIVATED

STATUS CHECK COMMANDS.

OPERATION	COMMAND	REPLAY MESSAGE
Status about motor on/off, 3p-power, auto start, 2p power, line voltage.	SS	MOTOR OFF 3 PHASE POWER AUTO ON 1/3 ON L1 V:386V L2 V:386V L3 V:394V H:00 M:00 S:00 MOTO.CBE-12
Status about cyclic timer, auto on delay, star delta delay and double star delta delay.	SET1	CYC ON:0000M CYC OFF:0000M AUTO ON DELAY:01Min SDL DELAY: 03Sec DSDL DELAY:05Sec
Status about low and high volt on/off and it's value,different volt delay,low and high volt delay.	SET2	LOW VOLT OFF HIGH VOLT OFF 1P LOW VOLT 200 1P HIGH VOLT 600 3P LOW VOLT 200 3P HIGH VOLT 600 DIFF VOLT:050 DIFF VOLT DELAY:02Sec HIGH VOLT DELAY:05Sec LOW VOLT DELAY:05Sec
Status about dryrun and overload on/off and it's amps value, dryrun delay,overload delay.	SET3	DRYRUN ON OVERLOAD ON L1 2P A: 08 TO 15 L1 3P A: 04 TO 09 L2 2P A: 08 TO 15 L2 3P A: 04 TO 09 DRYRUN DELAY:06Sec OVERLOAD DELAY:09Sec

Status about light on/off, voice call on/off,single phase preventer on/off, security level,flash message on/off,keypad on/off.	SET4	LIGHT OFF VOICE CALL ON SPP ON SECURE MEDIUM FLASH OFF KEYPAD ON
This command helps you view the first five saved control numbers.	SET5	NM1 0123456789 (saved 10 digit mobile number) NM2 0123456789 (saved 10 digit mobile number) NM3 0123456789 (saved 10 digit mobile number) NM4 0123456789 (saved 10 digit mobile number) NM5 0123456789 (saved 10 digit mobile number)
This command helps you view the last five saved control numbers.	SET6	NM6 0123456789 (saved 10 digit mobile number) NM7 0123456789 (saved 10 digit mobile number) NM8 0123456789 (saved 10 digit mobile number) NM9 0123456789 (saved 10 digit mobile number) NM10 0123456789 (saved 10 digit mobile number)

CALL CONTROL STATUS:

OPERATION	COMMAND	REPLAY MESSAGE	REMARK
status about motor	First-time starters receive a call from the registered mobile number.	MOTOR OFF 3 PHASE POWER AUTO ON L1 V:386V L2 V:386V L3 V:394V H:00 M:00 S:00 MOTO.CBE-12.	For authorized number, the status of the motor will be displayed in first missed call
If the Motor is in ON state → will be moved to OFF state. If the Motor is in OFF state → will be moved to ON state.	Second time starters receive a call from the registered mobile number.	MOTOR ON or MOTOR OFF	If starter receive a call again with in one minute from the 1 st call, the motor will be turned OFF/ON as per the present status.

Status about motor	First-time starters receive a call from the unregistered mobile number.	MOTOR OFF 3 PHASE POWER AUTO ON L1 V:386V L2 V:386V L3 V:394V H:00 M:00 S:00 MOTO.CBE-12	Unauthorized number will get only the status of the motor in firstcall.
Error	Second time starters receive a call from the unregistered mobile number.	SORRY! THIS IS NOT A REGISTERED NUMBER or WRONG KEYWORD	Unauthorized number will get error message in second call

AUTO GENERATE MESSAGES:

FUNCTION	REPLAY MESSAGE	REMARK
Different voltage message	RY=383 YB=371 BR=414 MOTOR STOPPED,REGARDING VOLTAGE DIFFERENCE BETWEEN THE LINES H:00 M:00 S:00	Difference voltage value between the 3P- Phase line, motor will turn off automatically and send message to register mobile number.
Cyclic timer message	MOTOR STARTED WITH CYCLIC TIMER ON MOTOR OFF WITH CYCLIC TIMER OFF	Motor switch ON/OFF through cyclic timer

Dryrun message	L1 AMPS=03.8 L2 AMPS=10.0 MOTOR STOPPED, DUE TO DRY RUN H:00 M:00 S:00	When motor run less than the entered amps value in any of the line1 & line2, it will automatically switched off the motor and send message to register mobile number.
Overload message	L1 AMPS=09.8 L2 AMPS=18.0 MOTOR STOPPED, DUE TO OVERLOAD H:00 M:00 S:00	When motor run greater than the entered amps value in any of the line1 & line2, it will automatically switched off the motor and send message to register mobile number.
Auto start message	MOTOR STARTED WITH AUTO START ON	Motor will switch ON through auto start
Power off message	POWER OFF! H:00 M:00 S:00	If there is a power failure it will send the power OFF message
Power back message	MOTOR OFF 3 PHASE POWER AUTO ON 1/3 ON L1 V:386V L2 V:386V L3 V:394V H:00 M:00 S:00 MOTO.CBE-12	If there is a power back it will send the status of motor.
Refresh message		When you receive different voltage message or low voltage message or overload message, after that your motor switched off consciously, in this case if you want to start motor again, you must send this refresh command to refresh mobile starter and wait up to receive new status message.

ERROR DISPLAY MESSAGE:

DISPLAY	PROBLEM	SOLUTION
Err01	SIM card not detected (or) without SIM card	Switch OFF the mobile starter power button, remove the SIM card and insert the sim card again. Now switch ON the mobile starter.
Err02	SIM card not registered in network	Place the antenna in proper position where the network signal strength is high in your home town.
Err03	Problem in sending message	Kindly recharge or contact your network operator.

MOTOR OPERATION STATUS:

- Motor load (current)
- Motor ON / OFF status with real time
- Power on status as feedback to customers through SMS.

Thank you for choosing the **MOBILE STARTER**. This user manual provides comprehensive information to help you operate and maintain your device effectively. If you have any further questions or require technical support, please contact our customer service team.



WARRANTY:

CUSTOMER NAME:

MOBILE NUMBER:

ADDRESS:

.....

SERIAL NO: BATCH NO:

E-MAIL:

PURCHASE DATE:

DEALER DETAILS:

***NOTE:**

WARRANTY NOT APPLICABLE FOR PHYSICAL DAMAGE, WATER DAMAGE, NATURAL DISASTER, HIGH VOLTAGE FROM MAINS AND THIRD PARTY REPAIRS.

----- NOTES -----

MANUFACTURED BY:

MOTO CONTROL SYSTEM

186-190,2nd Floor, Dr. Radha Krishnan Street, Tatabad, Coimbatore, Tamil Nadu 641012.

E-mail: info@motocontrolsystem.com Phone: 0422 4334445

Web: www.motocontrolsystem.com